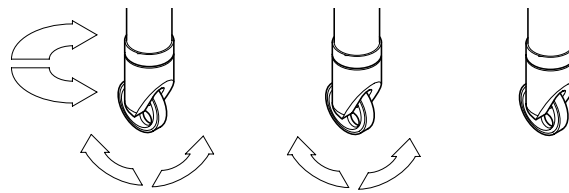


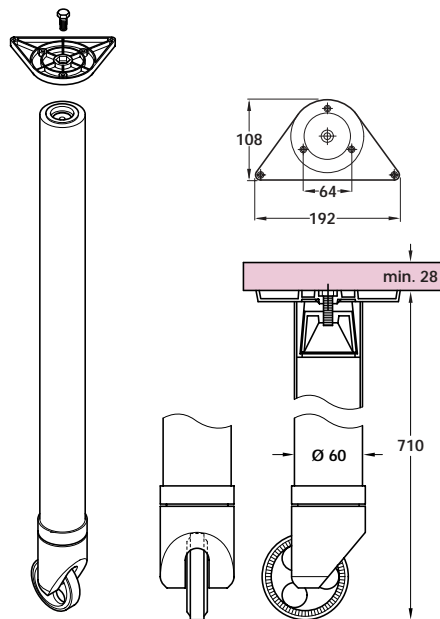
Carrying capacity is dependant on the type of material, size and weight of the construction. Please contact Technical Sales detailing the above information



Safety brake with three settings



1. Swivelling castor with free wheel
2. Non swivelling castor with free wheel
3. Non swivelling castor with braked wheel

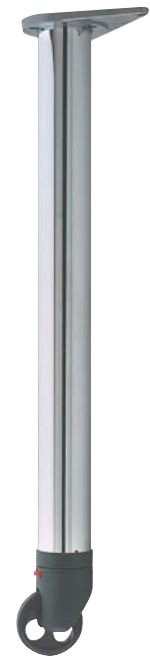


A Table leg with castor, 710 mm high, Ø 60 mm

- Ø 75 mm swivelling castor with brake
- For tables, worktops or desks
- Dark grey zinc alloy, screw fixing mounting plate
- Black plastic castor
- Tubular steel leg

Finish	Cat. No.
Polished chrome	635.16.270

Order qty: 1 pc

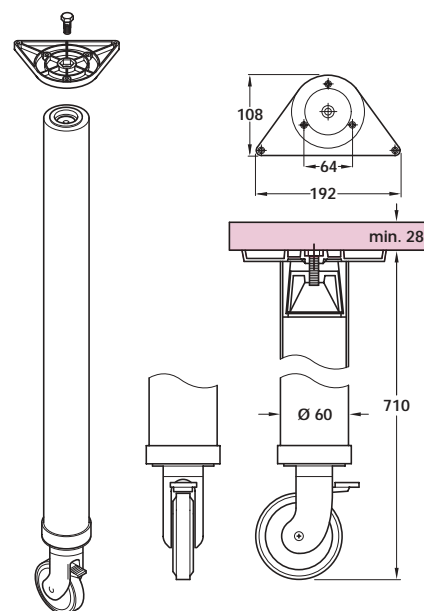


B Table leg with castor, 710 mm high, Ø 60 mm

- Ø 75 mm swivelling castor with brake
- For tables, worktops or desks
- Dark grey zinc alloy, screw fixing mounting plate
- Beech effect plastic castor with black wheel and brake
- Tubular steel leg

Finish	Cat. No.
Silver coloured RAL 9006	635.65.270

Order qty: 1 pc



Dimensions in mm

We reserve the right to alter specifications without notice.